

## Accessories

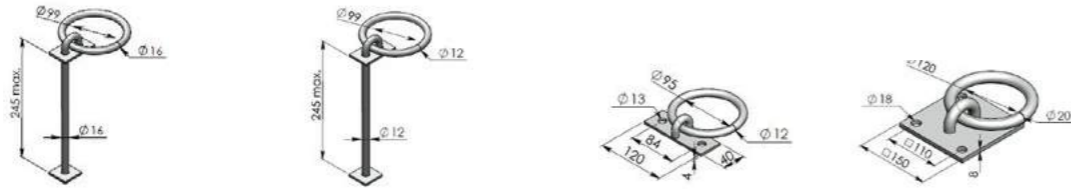


# Accessories



## MOORING RINGS

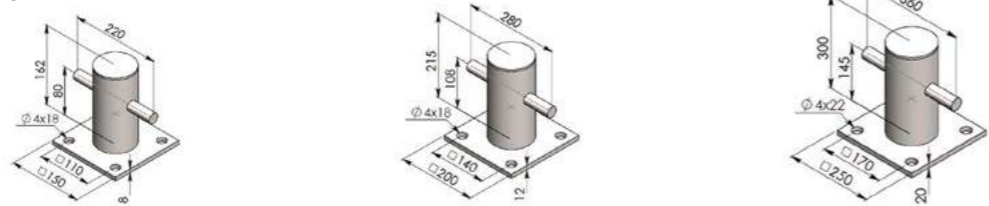
- Fully hot dip galvanized robust construction.



Item code	14 11 00	14 21 00	14 50 00	14 52 00
Dimensions	Ø12x265 mm	Ø16x265 mm	Ø12 mm	Ø20 mm
Strength	10 kN	15 kN	10 kN	20 kN
Material	Hot dip galvanized			
Intended use	Swimming pontoon	Boat pontoon	Timber pontoon with concrete floats	Timber pontoon with concrete floats, HD concrete pontoon

## MOORING BOLLARDS

- T-Bollard mooring;
- The geometrical construction of the bollard ensures the better distribution of the internal forces;
- Available as fully hot dip galvanized or stainless steel.



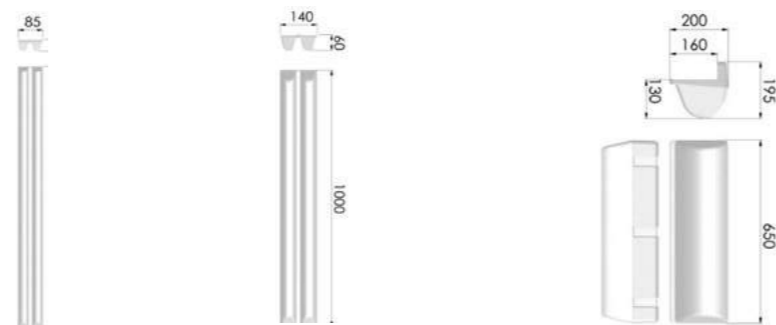
Item code	14 64 00	14 62 00	14 65 00	14 63 00	14 66 00	14 67 00
Product	T-bollard 25 kN		T-bollard 50 kN		T-bollard 100 kN	
Material	Hot dip galvanized	Stainless steel	Hot dip galvanized	Stainless steel	Hot dip galvanized	Stainless steel
Dimensions	Ø76 mm		Ø114 mm		Ø140 mm	
Strength	25 kN		50 kN		100 kN	
Intended use	Timber pontoon with concrete floats, HD concrete pontoon		HD concrete pontoon		HD concrete pontoon	

## VENDER BACELL

- Highly shock absorbent;
- Strong and elastic material with 100 % watertight cells;
- Foam material, that has been in use for over 30 years in the professional market;
- Does not deteriorate in the sun;
- Does not stain boats.

## VENDER BACELL TECHNICAL INFORMATION

- Hardness surface, shore A: 37;
- Hardness foam core, shore A: 24;
- Compression strength: 140 kPa;
- Recommended min temp: -25 °C;
- Recommended max temp: +40 °C;
- Temp. not to be exceeded: +50 °C;
- Density: 95 g/l.

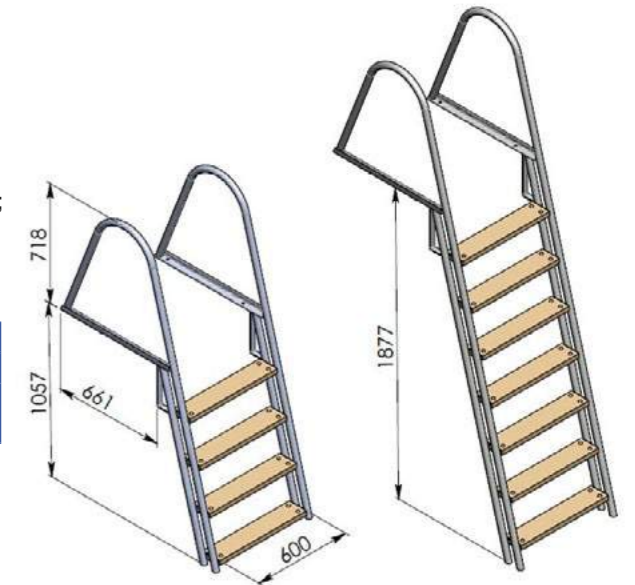


Item code	16 71 00	16 72 00	16 73 00
Product	Fender MF44	Fender MF60	Fender MBF150
Dimensions	Length	940 mm	1000 mm
	Width	44 mm	60 mm
	Height	85 mm	140 mm
Weight	220 g	510 g	1400 g
Fittings	4x clips, screws not included	4x clips, screws not included	3x aluminium brackets, pre-assembled, screws not included
Intended use	Swimming pontoons, Boat pontoons, Timber pontoons with concrete floats, HD concrete pontoons, Boat booms, Mooring fingers		

## SWIM LADDERS

- Available as fully hot dip galvanized or stainless steel;
- Selection of 4 or 7 step swimming ladders;
- Can be installed on every pontoon provided by Top Marine OÜ;
- Recommended to remove for the winter;
- Available as foldable.

Item code	16 20 00	16 21 00	16 10 00	16 11 00
Product	Swimming ladder 4 steps	Swimming ladder 7 steps	Swimming ladder 4 steps	Swimming ladder 7 steps
Material	Hot dip galvanized	Stainless steel	Hot dip galvanized	Stainless steel



## SERVICE PEDESTAL

- Electricity supply boats;
- Water supply for boats;
- Lighting for the floating pontoon;
- Constructed from two aluminium extruded sides and composite front and rear panels;
- From 16amp Sockets up to 250amp Three Phase Socket;
- Lockable Sockets;
- Smart card systems;
- Recommended to install at least after every 12 m to ensure the whole pontoon with lighting.

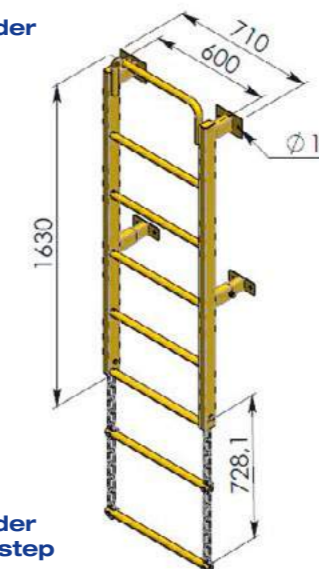
## 16 90 00 Service Pedestal



## SAFETY LADDER

- Fully hot dip galvanized and powder coated yellow;
- Recommended to install at least after every 40 m;
- Recommended to remove for the winter.

## 16 35 00 Safety ladder

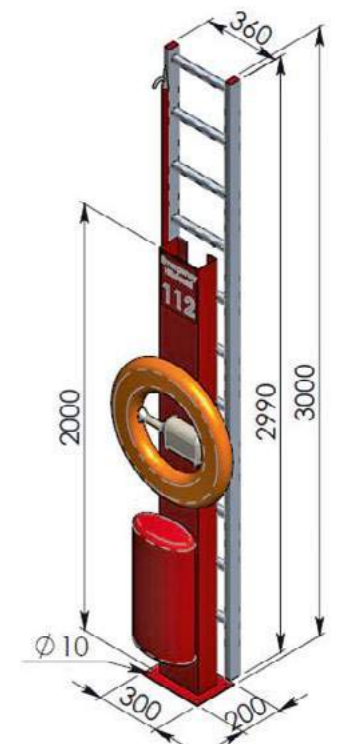


## 16 36 00 Safety ladder additional step

## SOS PEDESTAL

- Perfect for safety, includes:
- Life buoy (4 kg) with throw line (25 m, Floating, Red);
- Hook (3 m, Floating, Red)
- Ladder (3 m, Floating, Aluminium);
- Information board;
- Fire extinguisher and cabinet as extra;
- Recommended to install at least after every 60 m.

## 16 30 00 SOS pedestal



# Accessories

## PUMP OUT STATIONS

- Helps to get rid of waste water on a yacht;
- Robust station that will give many years of service.

### 16 60 00

#### Pump Out Station LS60W

- Pump capacity: 50 l/min;
- Motor Power 750 W;
- Weight: 95 kg;
- Suction height: 5 m;
- Discharge length: 120 m;
- Discharge height: 6m.



### 17 60 20

#### Pump Out Mobile Station LSM80

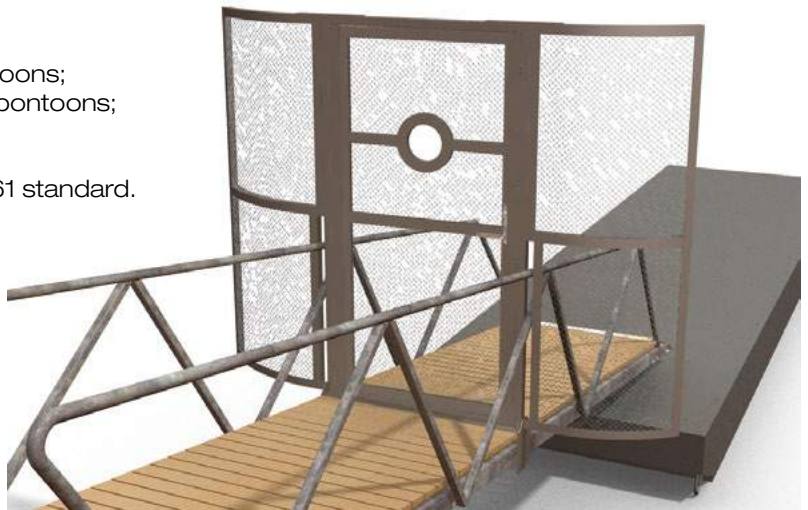
- Pump capacity: 25 l/min;
- Motor Power 250 W;
- Weight: 50 kg;
- Suction height: 5 m;
- Discharge length: 15 m.



### 10 90 00

#### Gate

- Available for different width gangways and pontoons;
- Can be installed on abutments, gangways and pontoons;
- Increases security;
- Smart card systems;
- Fully hot dip galvanized C4 according to ISO 1461 standard.



Revision date 1 January 2016

Top Marine is a continuously developing firm and may at its sole discretion revise or amend this product catalogue without further notice.



Top Marine  
Ph +372 5304 4000  
Fax +372 656 0520

Tule 21, Saue 76505 ESTONIA  
info@topmarine.ee  
www.topmarine.eu

Representative: